



Yung-Chiang Chung ,Ph.D.

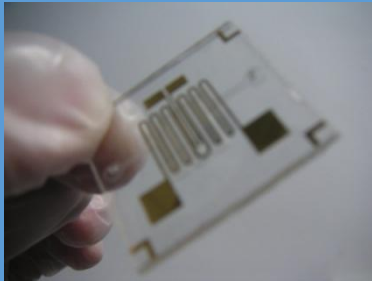
Position : Associate Professor

Phone : +886-2-2908-9899 Ext.4534

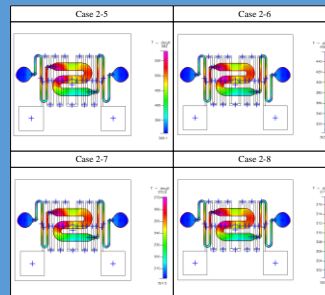
E-Mail : ycchung@mail.mcut.edu.tw

Education : Ph.D., National Cheng Kung University

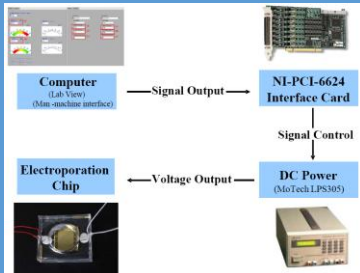
**Research : BioMEMS, nanotechnology, micro-fluidic systems
biomedical optoelectronics, magneto-optical technology**



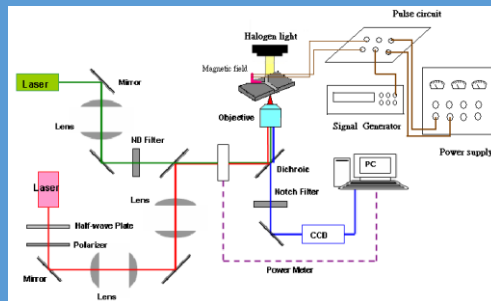
DNA amplification chip



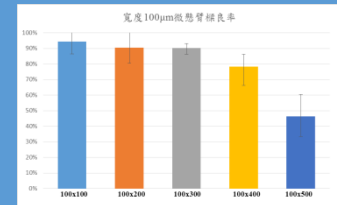
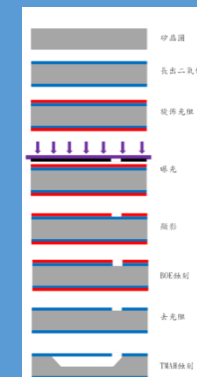
Simulation of micro system



System of gene transfection chip



Particle sorting system using magneto-optical tweezers



Fabrication and yield of micro cantilever beam