



Hai Wang ,Ph.D.

Position : Associate Professor

Phone : +886-2-2908-9899 Ext.4517

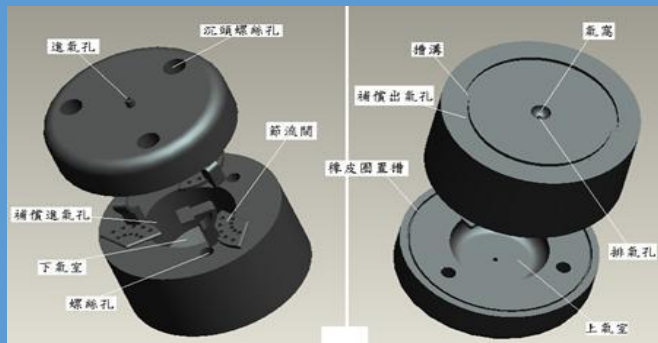
E-Mail : [whai@mail.mcut.edu.tw](mailto:whai@mail.mcut.edu.tw)

Education : Ph.D., National Taiwan University

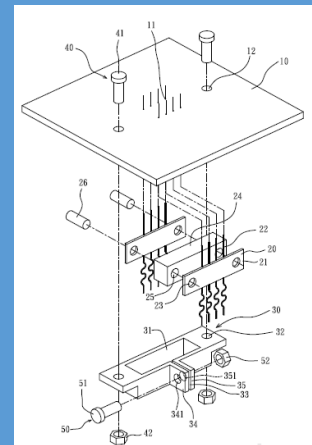
Research : Precise measurement techniques, reverse engineering, machining technology, sensor system interface integration technology



MEMS fabrication of micro probes



The design concept of air bearing with fixed film thickness passive compensation capability.



The assembly of micro probe card.